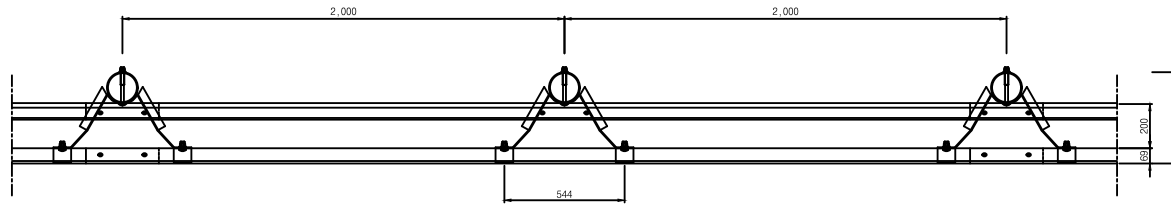
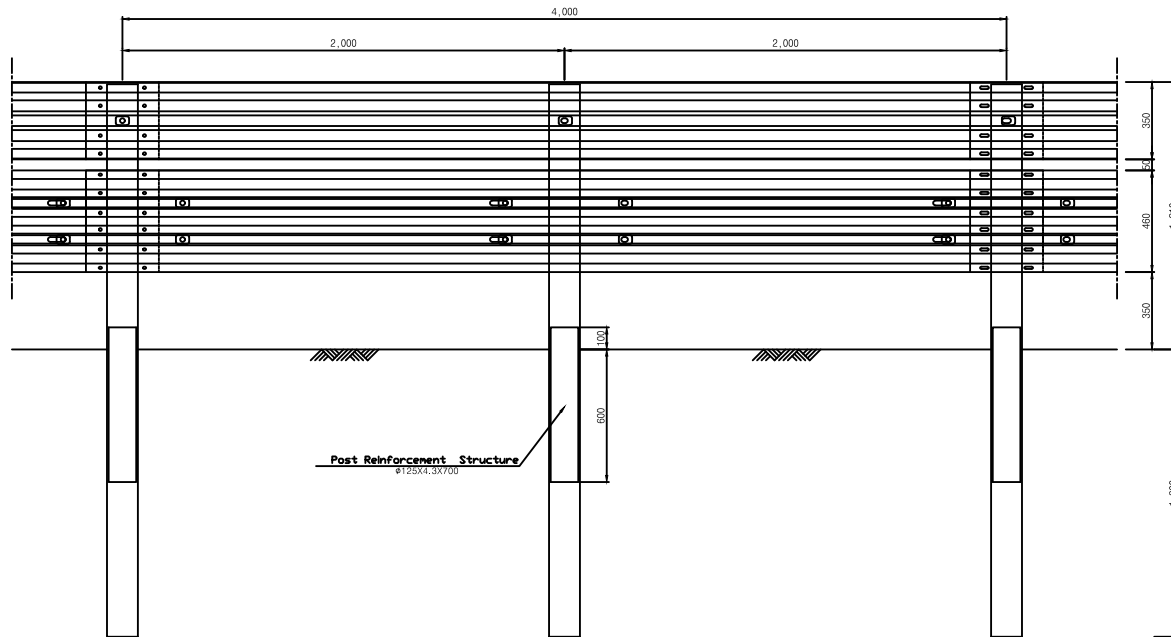


For highway Guard Rail : YC-HSB5-B (YC-HSB, SB5-B)

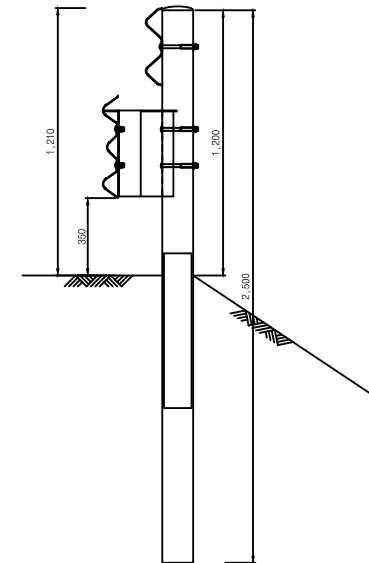
RAIL PLANT



RAIL ELEVATION



SIDE ELEVATION



(4M/Per span)

(4M/Per span)



YOO CHANG STEEL
INDUSTRY Co., Ltd

102, Yongdeok-ro 302beon-gil, Hallim-myeon, Gimhae-si,
Gyeongsangnam-do, Republic of Korea
TEL 055-346-7761~3
F A X 055-346-7760

Product Name	Dimension	Unit	Quantity	Remarks	Product Name	Dimension	Unit	Quantity	Remarks
Guard Rail	3.2x460x4,330	EA	1	SS275	Guard Rail	4.0x350x4,330	EA	1	SS275
Post	φ139.8x4.5x2,500	EA	2	SGT275	fixing B/N	φ18x40	EA	8	
Post Reinforcement Structure	φ125x4.3x700	EA	2	SGT275	Connection B/N	φ16x33	EA	20	
Cushion bracket	4.3x624x389	EA	2	SS275	Mounting B/N	φ19x180	EA	6	
Square washer	40x60	EA	20	SS275	CAP	φ139.8	EA	2	SS275