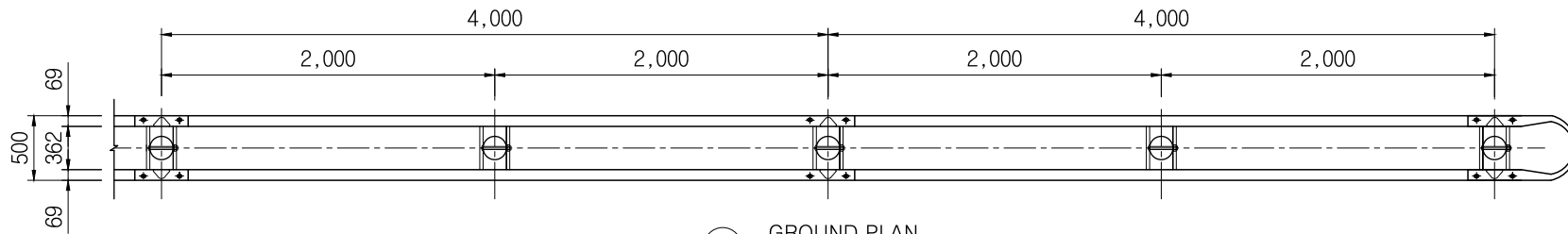
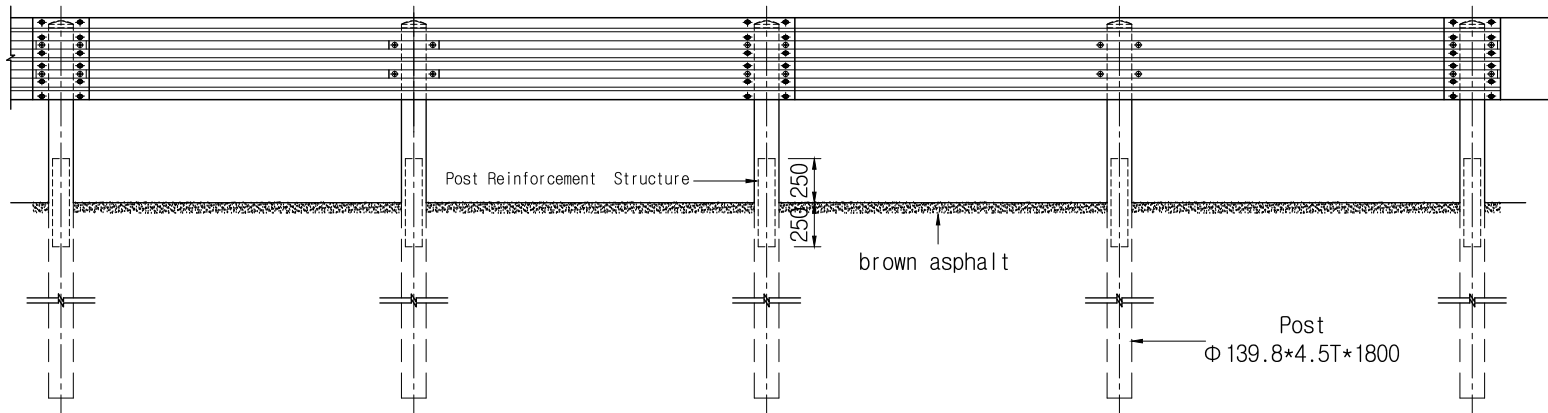


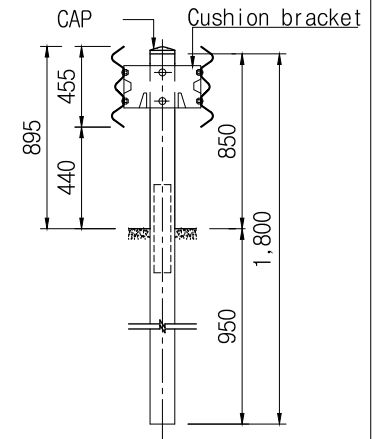
3W median guard rail(Cushion bracket-240*362)



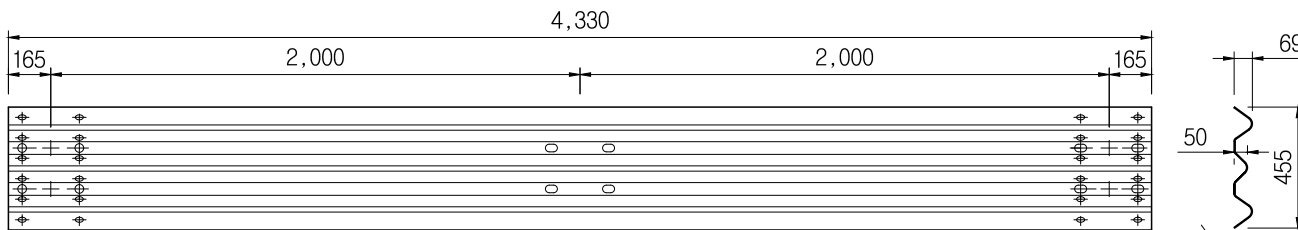
GROUND PLAN
SCALE : NONE



ELEVATION
SCALE : NONE




SIDE ELEVATION
SCALE : NONE



Rail
SCALE : NONE

Material table (2M/Per span)

Product Name	Dimension	Unit	Quantity	Remarks
Guard rail	455*4,330*3.2T	EA	1	
Post	Φ 139.8*4.5T*1,800	EA	1	
Cap	Φ 139.8	EA	1	
Cushion bracket	3.2T*240*362	EA	2	
Post Reinforcement Structure	Φ 125*4.3T*500	EA	1	
Mounting B/N	Φ 19*180	EA	2	
Mounting B/N	Φ 18*50	EA	8	
Connection B/N	Φ 16*33	EA	12	

Drawing	SB4 Class	Design		Date		Drawing number	 102, Yongdeok-ro 302beon-gil, Hallim-myeon, Ginhae-si, Gyeongsangnam-do, Republic of Korea T E L 055-346-7761-3 F A X 055-346-7760
Project		Drawing		scale	NONE	YC - 3GR - 01 Median guard rail (240*362) - 1	