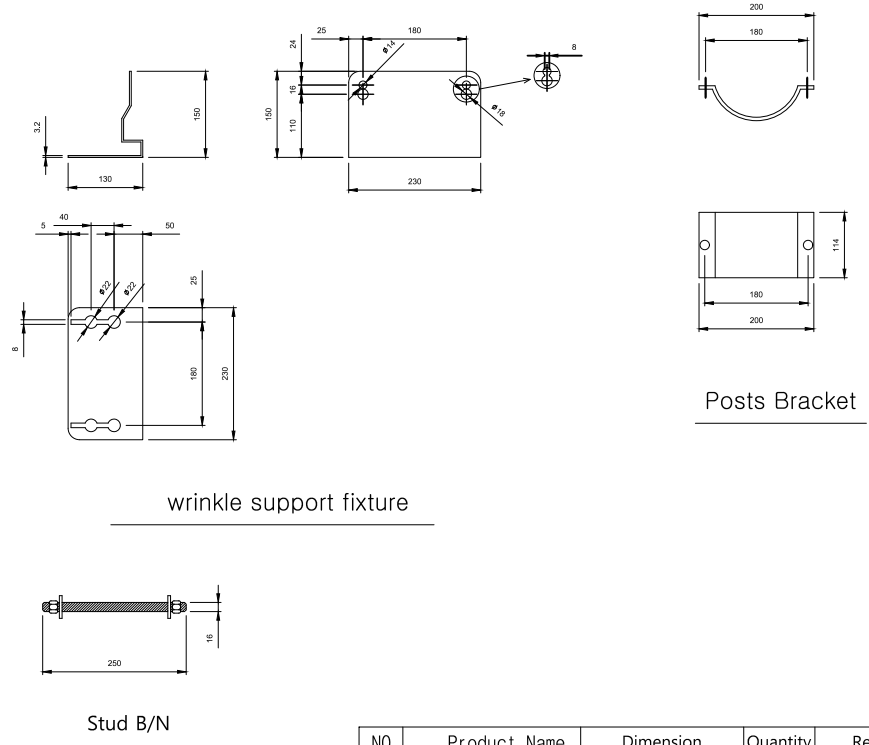
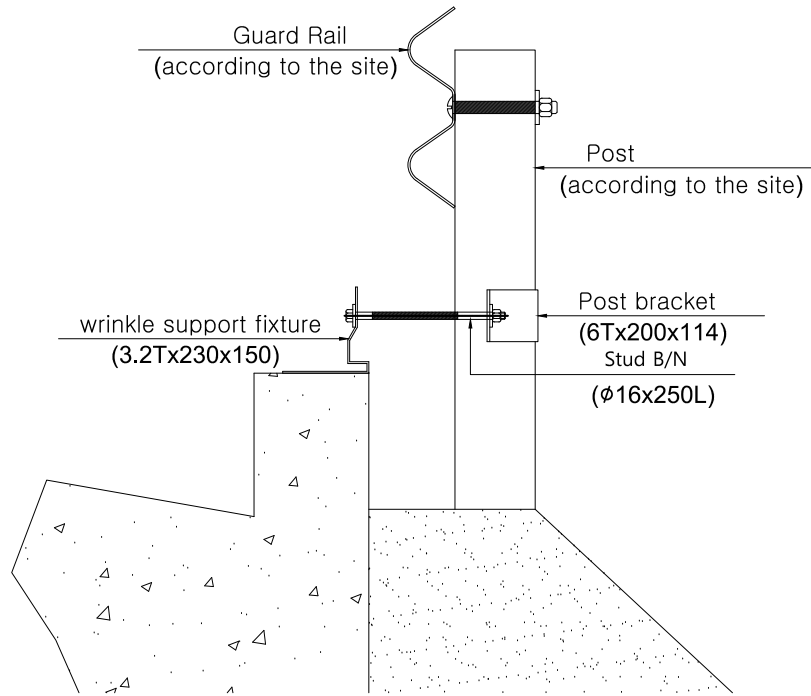


# Supplementary Reinforcement Structure (Dyke TYPE 1)



NO.	Product Name	Dimension	Quantity	Remarks
1	wrinkle support fixture	3.2 X 230 X 150	1	SS400
2	Posts Bracket	6T X 200 X 114	1	SS400
3	Stud B/N	φ16 X 250L	2	
4	Anchor B/N	φ16 X 150	2	

Drawing	Dyke TYPE 1	Design		Date		Drawing number
Project		Drawing		scale	NON	

**YCS** YOO CHANG STEEL  
INDUSTRY Co., Ltd

102, Yongdeok-ro 302beon-gil, Hallim-myeon, Gimhae-si,  
Gyeongsangnam-do, Republic of Korea  
T E L 055-346-7761-3  
F A X 055-346-7760