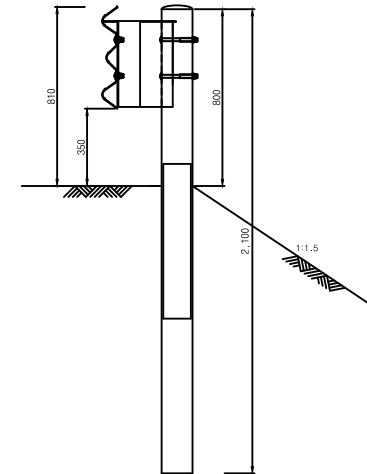
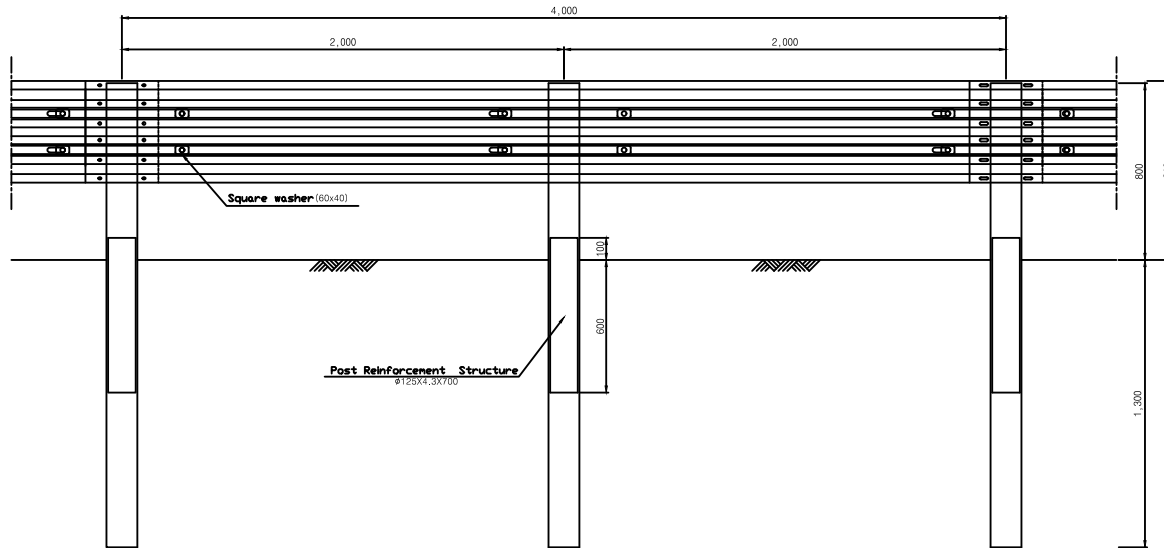
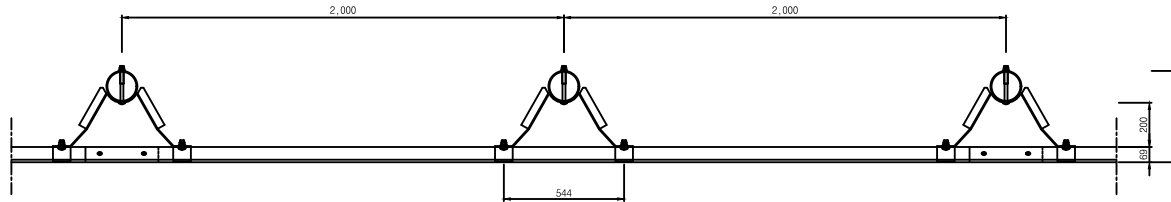


# For highway Guard Rail(1) : YC-HSB3-B-01 (YC-HSB,SB3-B)



(4M/Per span)

(4M/Per span)

**YCS** YOO CHANG STEEL  
INDUSTRY Co., Ltd

102, Yongdeok-ro 302beon-gil, Hallim-myeon, Gimhae-si,  
Gyeongsangnam-do, Republic of Korea  
T E L 055-346-7761~3  
F A X 055-346-7760

Product Name	Dimension	Unit	Quantity	Remarks	Product Name	Dimension	Unit	Quantity	Remarks
Guard Rail	3.2x460x4,330	EA	1	SS400	Mounting B/N	φ19x180	EA	4	
Post	φ139.8x4.5x2,100	EA	2	STK400	fixing B/N	φ18x40	EA	8	
Post Reinforcement Structure	φ125x4.3x700	EA	2	STK400	Connection B/N	φ16x33	EA	12	
Cushion bracket	4.3x624x389	EA	2	SS400	CAP	φ139.8	EA	2	SS400
Square washer	40x60	EA	8	SS400					